

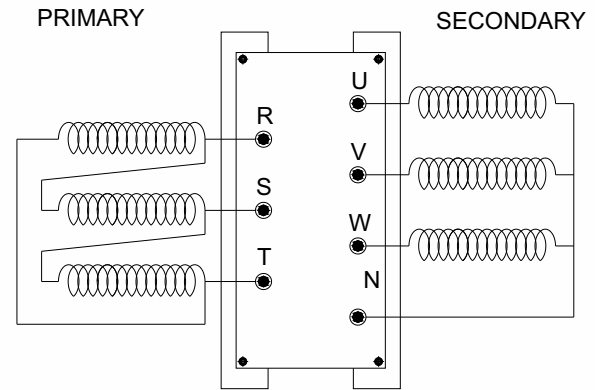
Oil Immersed Isolation Transformer

TECHNICAL DATA

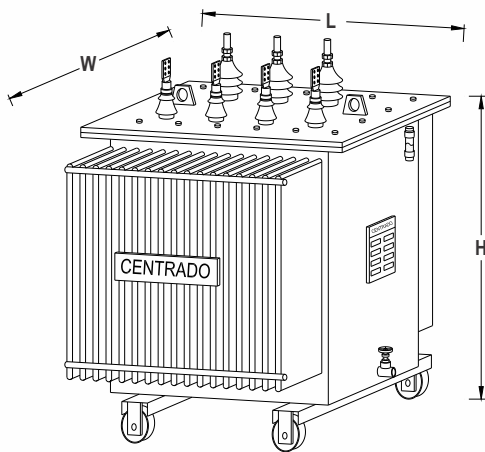
Power	50 KVA upto 1000 KVA
Primary Voltage Range	400/231V - 380/220V - 220/127V - 200/115V
Secondary Voltage Range	200/115V - 220/127V - 380/220V - 400/231V



Product View



Isolation Transformer
Wiring Diagram



Dimension Drawing

Dimensions and Weights

Capacity (KVA)	I ₀ (%)	IMP (%)	Dimension			Weight (kg)
			L	W	H	
50	2.3	3.8	820	700	1050	420
60	2.2	3.9	820	700	1050	480
75	2.3	4.1	900	800	1100	525
100	1.8	4.0	900	800	1100	600
125	2.1	4.2	950	820	1150	650
150	1.9	4.0	950	820	1200	800
200	1.9	4.2	1050	850	1250	850
250	1.9	4.4	1100	850	1350	950
315	2.1	4.2	1200	900	1450	1150
400	1.9	4.4	950	820	1250	1050
500	1.8	4.0	1350	950	1650	1600
630	1.8	4.2	1350	980	1700	2050
800	2.1	4.6	1350	1020	1800	2300
1000	1.8	5.5	1450	1100	1850	2600

Note : PT. Centrado Prima International reserves the right to change information at any time and without notice previously. Product design, dimensions or weight may vary. *