

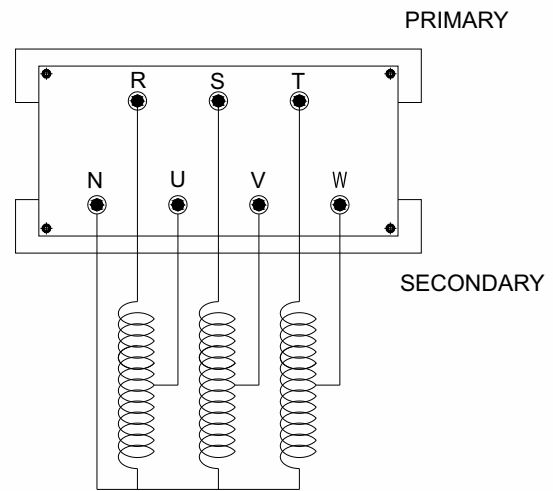
Oil Immersed Auto Transformer

TECHNICAL DATA

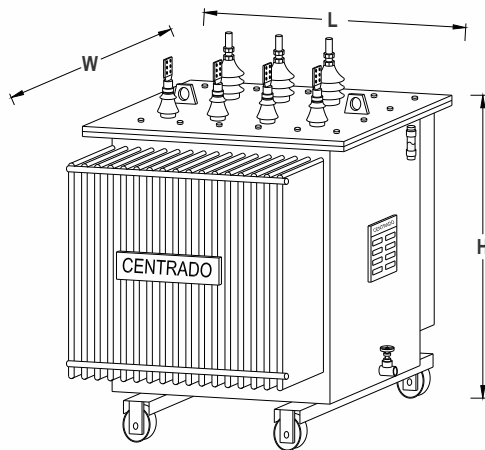
Power	50 KVA upto 1000 KVA
Primary Voltage Range	400/231V - 380/220V - 220/127V - 200/115V
Secondary Voltage Range	200/115V - 220/127V - 380/220V - 400/231V



Product View



Auto Transformer
Wiring Diagram



Dimension Drawing

Dimensions and Weights

Capacity (KVA)	Phasa	I ₀ (%)	Dimension			Weight (kg)
			L	W	H	
50	3	2.3	700	400	850	280
60	3	2.2	700	400	850	320
75	3	2.3	800	550	1050	380
100	3	1.8	800	550	1050	420
125	3	2.1	800	600	1100	460
150	3	1.9	850	650	1100	600
200	3	1.9	900	650	1150	650
250	3	1.9	900	650	1200	700
315	3	2.1	950	750	1200	850
400	3	1.9	950	820	1250	1050
500	3	1.8	1100	900	1400	1150
630	3	1.8	1100	950	1450	1350
800	3	2.1	1250	1050	1650	1550
1000	3	1.8	1350	1100	1800	1850

Note : PT. Centrado Prima International reserves the right to change information at any time and without notice previously. Product design, dimensions or weight may vary. *